



(Click on each line to fill in answer)

Project Name: _____ Number of Systems: _____

Contact: _____ Height Adjusters: Yes No

Phone: _____ Safety Straps: Yes No

Email: _____ Curtains: _____

Street Address: _____ Volleyball: _____

City, State: _____ Date Quote Required: _____

Zip: _____ Other Notes: _____

Step 1: Identify the style of building you are working with:

Ceiling suspended structures, curtains, sport cages and other gymnasium structures are custom made to fit your building conditions. It is IMPERATIVE that ALL questions are answered carefully and accurately for proper quoting and installation. Incorrect or insufficient information supplied will require clarification and your bid or job will be delayed.

RED IRON BEAM

Check if Applicable and Complete Steps 1, 2, 3, 4A, 4C

RED IRON BEAM SHED

Check if Applicable and Complete Steps 1, 2, 3, 4B, 4C

OPEN TRUSS

Check if Applicable and Complete Steps 1, 2, 3, 6A, 6B

FLAT BAR JOIST

Check if Applicable and Complete Steps 1, 2, 3, 5A, 5C

SLOPED BAR JOIST

Check if Applicable and Complete Steps 1, 2, 3, 5B, 5C

After you have identified the style of building. Continue with the rest of the packet. Remember you need to only fill out steps that pertain to your particular building style, which are indicated by sections header, Steps.

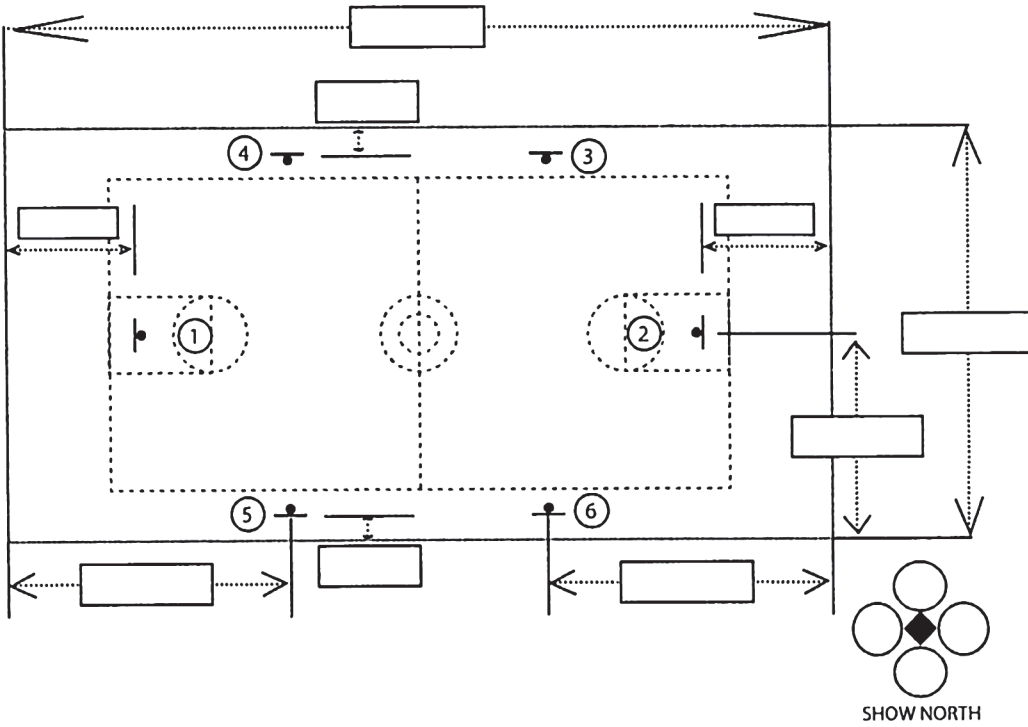
Step 2: Identify any obstructions:

List any obstructions (duct work, water, lines, etc.) that need to be addressed during the design and installation of this project. Check with the architect or general contractor for any possible future obstructions. Make sure that the installer is aware of any and all obstructions prior to installation.

Step 3: Measure Court Dimensions:

Please draw in curtain, sport cage and other non-basketball structures onto the below court.

NOTE: We can fill out the chart at the bottom of the page regarding specific part numbers that will work best for your gymnasium, please just fill in the dimensions on the diagram directly below.



STRUCTURE	No. 1	No. 2	No. 3	No. 4	No. 5	No. 6
BACKSTOP/WALL MOUNT MODEL #:						
GOAL MODEL #:						
BACKBOARD MODEL #:						
PADDING MODEL #:						
HEIGHT ADJUSTER: (Y/N)						
SAFSTOP: (Y/N)						
WINCH: MANUAL/ELECTRIC						
VOLLEYBALL MODEL #:						
CURTAIN MODEL #:						
SPORTING CAGE MODEL #:						
MAT HOIST MODEL #:						
PORTABLE BACKSTOP MODEL #						

SPECIAL INSTRUCTIONS (IE. COLOR):

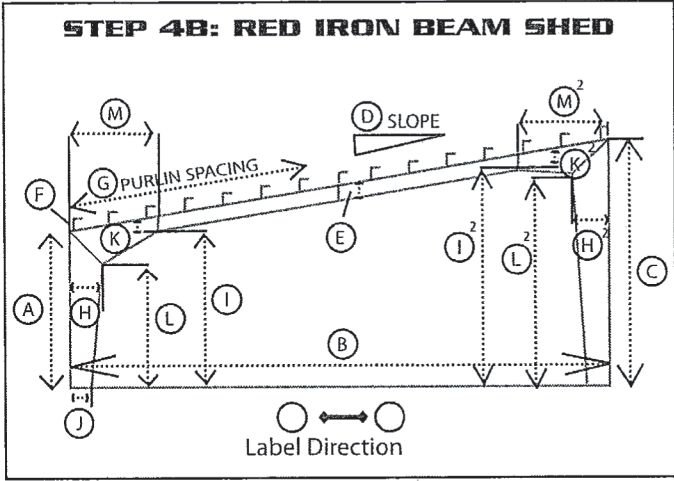
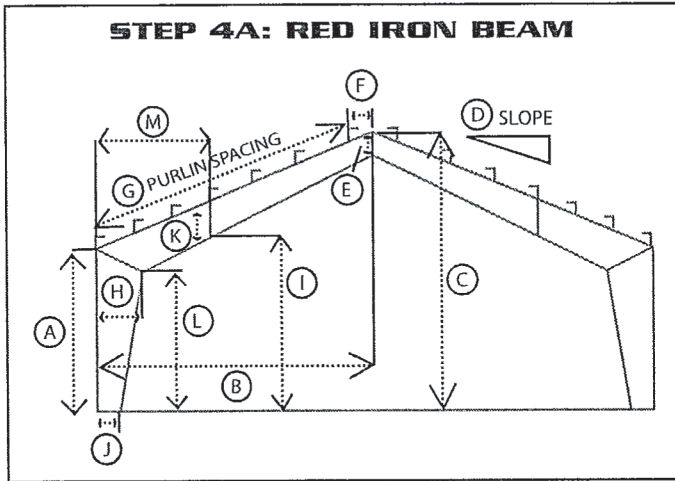
I understand that the dimensions and information given in this packet are critical to the pricing and manufacture of the product. The information compiled in this packet was measured and verified by me and is accurate to the best of my knowledge

Signed _____

Date _____

Gared Product Numbers	
5016	Gared Pro H Portable Basketball System with 8' Extension
5017	Gared Pro H Portable Basketball System with 10' Extension
5018	Gared Pro H FIBA Portable Basketball System with 10' 8" Extension
9616	Gared Pro S Portable Basketball System with 8' Extension
9617	Gared Pro S Portable Basketball System with 10' Extension
9618	Gared Pro S FIBA Portable Basketball System with 10' 8" Extension
5004	Hydra-Goal Portable Basketball System with 8' Extension
9408	Hoopmaster® 8, Portable Basketball System with 8' extension
9407	Hoopmaster® 7, Portable Basketball System with 7' extension
9405	Hoopmaster® 5, Portable Basketball System with 5' extension
3103	Single Post Backstop Series, Forward Fold/Rear Braced
3105	Single Post Backstop Series, Rear Fold/Rear Braced
3107	Single Post Backstop Series, Forward Fold/Front Braced
3109	Single Post Backstop Series, Side Fold/Side Braced
3111	Single Post Backstop Series, Stationary/Ceiling Braced
3115	Single Post Backstop Series, Stationary/Wall Braced
3205	Bent Single Post Backstop Series, Rear Fold/Rear Braced
3207	Bent Single Post Backstop Series, Forward Fold/Front Braced
3209	Bent Single Post Backstop Series, Side Fold/Side Braced
3305	Single Post Backstop, Roll Forward
2350 Series	3 - Point Wall Mount
2300 Series	4 - Point Wall Mount
2500 Series	Side-Fold Wall Mount
2400 Series	Fold-Up Wall Mount
4013	Walk-Draw Gym Curtain
4020	Fold-Up Gym Curtain
4020R	Radius Gym Curtain
4025	Peak-Fold Gym Curtain
4030	Roll-Up Gym Curtain
4040	Top-Roll Gym Curtain
4090	Mat Storage System With 40' Load Bar
4091	Mat Storage System With 20' Load Bar
4095	Mat Carrier System With 20' Load Bar
4080	Ceiling Mount Multi-Sport Cage, Electronically Operated, No Net
4080-70	Multi-Sport Cage 10'H x 12'W x 70'L With 3/4" Square Mesh Net
4081-70	Batting Cage 10'H x 12'W x 70'L With 1 3/4" Square Mesh Net
4080-55	Multi-Sport Cage 10'H x 12'W x 55'L With 3/4" Square Mesh Net
4081-55	Batting Cage 10'H x 12'W x 55'L With 1 3/4" Square Mesh Net
8001	SkyMaster® Volleyball System
8001R	SkyMaster® Volleyball System with Referee Stand
7300	Telescopic 4" Rail Volleyball System
7200	Multi-Sport 4" Rail Volleyball System
6100	Telescopic 3 1/2" Collar Volleyball System
6000	Multi-Sport 3 1/2" Collar Volleyball System

Step 4: Red Iron Beam Verification

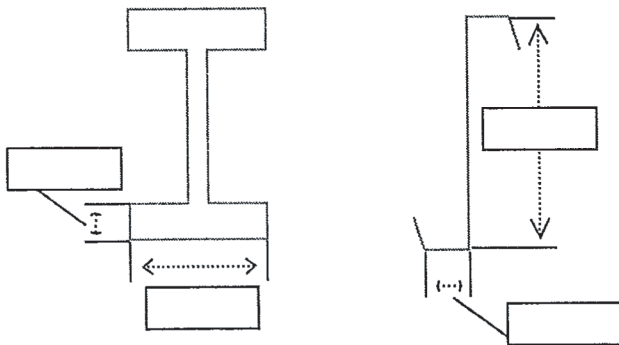


A:		Height from floor to roof
B:		Width from wall to roof pitch
C:		Height from floor to roof pitch
D:		Slope of roof: ratio = Height to Length (ie. 4/12)
E:		Distance between roof and beam
F:		Distance between pitch & closest purlin
G:		Space between purlins
H:		Distance between inner wall and outer wall
I:		Height between floor and beam
J:		Width between floor outer wall and inner wall
K:		Depth of inside dimension of rigid frame
L:		Distance from floor to inside 1st pitch
M:		Distance from 1st purlin to 2nd pitch break

A:		Height from floor to roof
B:		Width from wall to roof pitch
C:		Height from floor to roof pitch
D:		Slope of roof: ratio = Height to Length (ie. 4/12)
E:		Distance between roof and beam
F:		Distance between pitch & closest purlin
G:		Space between purlins
H:	H2:	Distance between inner wall and outer wall
I:	I2:	Height between floor and beam
J:		Width between floor outer wall and inner wall
K:	K2:	Depth of inside dimension of rigid frame
L:	L2:	Distance from floor to inside 1st pitch; L2 Distance from floor to inside last pitch
M:	M2:	Distance from 1st pitch to 2nd pitch break; M2 Distance from last purlin to last pitch break

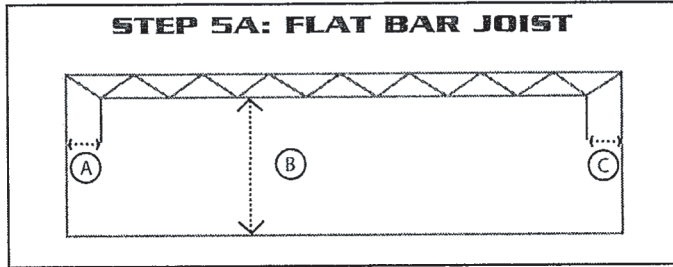
Step 4C:

The boxes on the diagram designated the required dimensions on the beam and purlin. Please fill them in

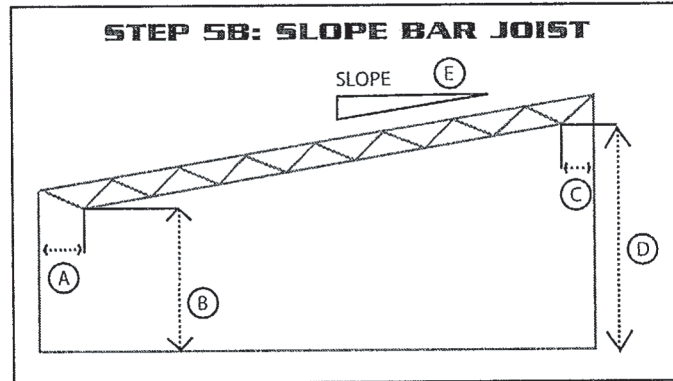


- Direction of truss in relation to the length of the main court:
_____ Parallel _____ Perpendicular
- Type of wall above 10': _____
- Finished ceiling: _____ Y _____ N
if yes, what is the elevation? _____
- Type of ceiling: _____
- Distance from wall to first red iron beam: _____
Which wall: N S E W
- Distance from wall to first z-purlin: _____
Which wall: N S E W
- Distance from center to center of red iron beams: _____
Which wall: N S E W

Step 5: Bar Joist Verification



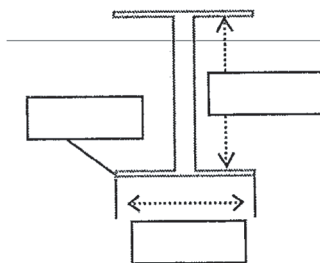
A:		Distance from wall to first chord
B:		Distance from floor to bottom of bar joist
C:		Distance from last chord to wall



A:		Distance from wall to first chord
B:		Distance from floor to first chord
C:		Distance from last chord to wall
D:		Distance from floor to last chord
E:		Slope of roof: ratio = Height to Length (ie. 4/12)

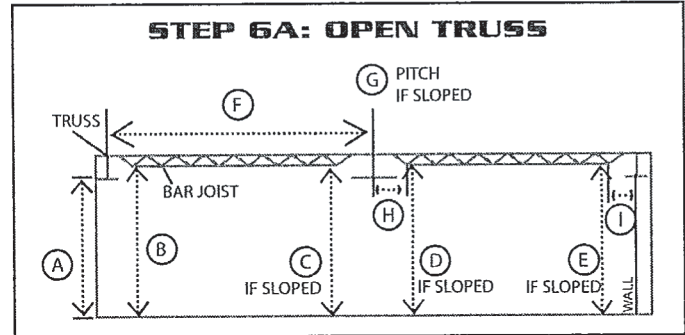
Step 5C:

The boxes on the diagram designated the required dimensions on the bar joist. Please fill them in



- Direction of truss in relation to the length of the main court: _____ Parallel _____ Perpendicular
- Does the bottom of the chord extend to the wall? _____ Y _____ N
- Type of wall above 10': _____
- Finished ceiling: _____ Y _____ N
if yes, what is the elevation? _____
- Type of ceiling: _____
- Distance from wall to first bar joist: _____
Which wall: N S E W
- Distance from center to center of bar joists: _____
Which wall: N S E W

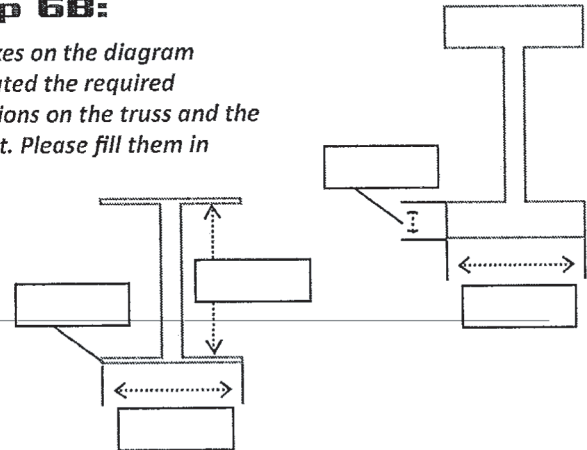
Step 6: Open Truss Verification



A:		Height from floor to roof
B:		Width from wall to roof pitch
C:		Height from floor to roof pitch
D:		Slope of roof: ratio = Height to Length (ie. 4/12)
E:		Distance between roof and beam
F:		Distance between pitch & closest purlin
G:		Space between purlins
H:		Distance between inner wall and outer wall
I:		Height between floor and beam

Step 6B:

The boxes on the diagram designated the required dimensions on the truss and the bar joist. Please fill them in



- Direction of truss in relation to the length of the main court: _____ Parallel _____ Perpendicular
- Direction of bar joist in relation to the length of the main court: _____ Parallel _____ Perpendicular
- Type of wall above 10': _____
- Finished ceiling: _____ Y _____ N
if yes, what is the elevation? _____
- Type of ceiling: _____
- Distance from wall to first trusses: _____
Which wall: N S E W
- Distance from center to center of trusses: _____
- Distance from wall to first bar joist: _____
Which wall: N S E W
- Distance from center to center of bar joists: _____