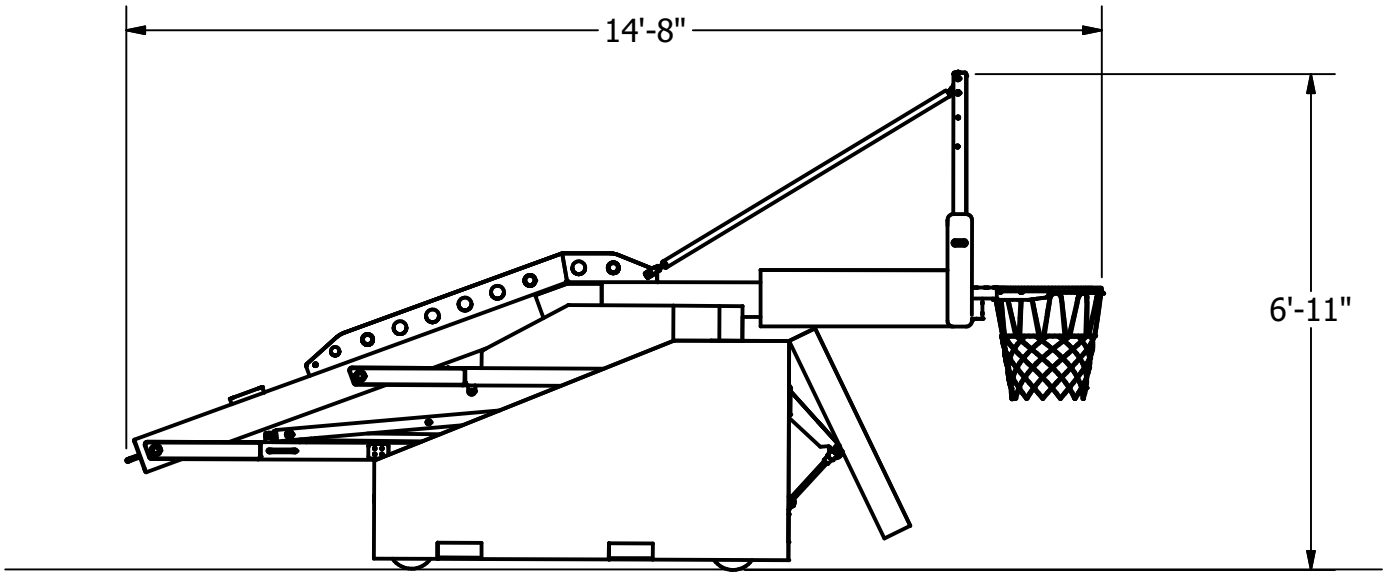
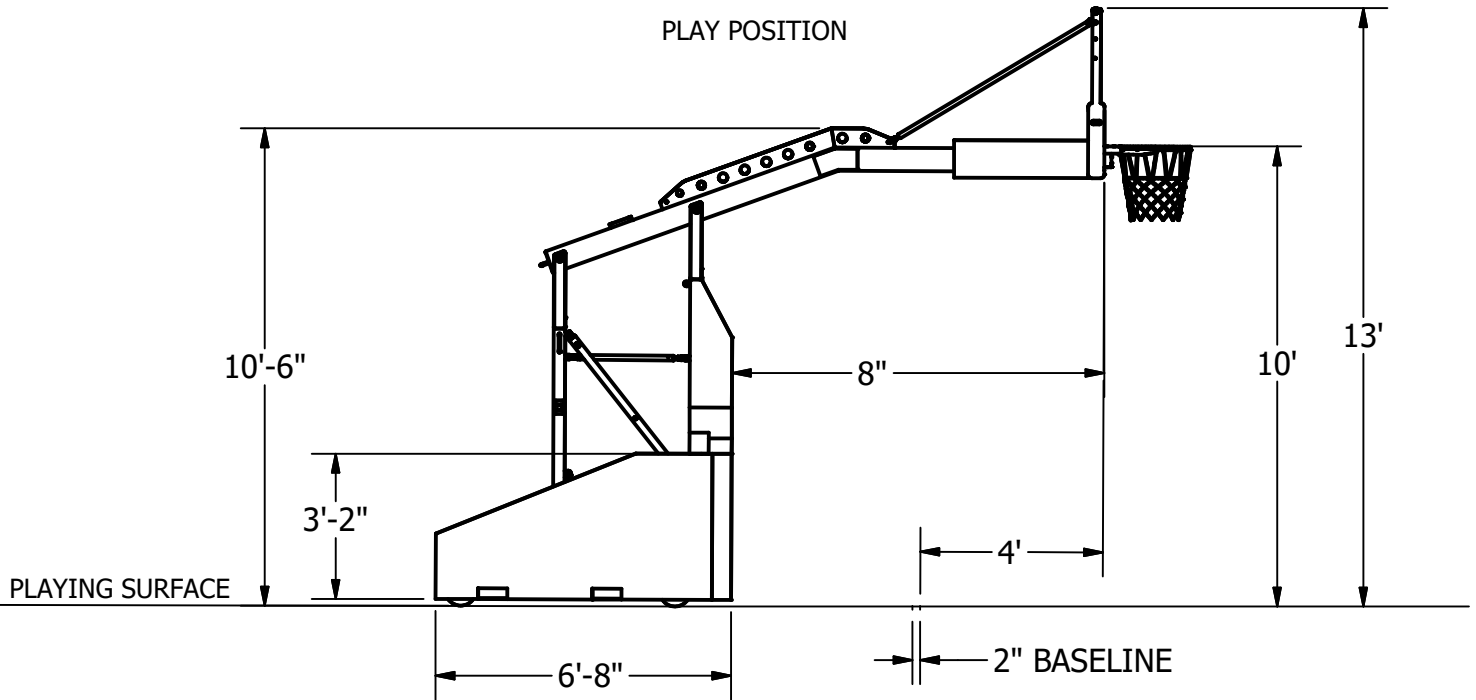


STORAGE POSITION



PLAY POSITION



PRODUCT SPECIFICATION

BA898AG T-Rex™ Americana Portable Basketball System

REVISED 2/21/2022 L.M.

**SPECIFICATIONS: Bison T-Rex Americana (8" Extension)
PORTABLE BASKETBALL BACKSTOPS**

FRAME: The base of the frame shall consist of tubular steel members 5" x 2" x 1/8", welded to form a rectangle. This base shall support 2 steel yokes. These yokes shall be constructed of two (2) steel tubes 3" x 4" x 3/16" welded together, then welded to cross members 3" x 3" x 3/16" and shall be reinforced with gusset tubes 3" x 4" x 3/16". Yokes shall have hinge fittings to upper and lower frame via 1 1/4" steel pivot pins riding on polyurethane friction bushings. Main beam shall be 6" x 6" x 3/16" steel reinforced along the top with a tubular steel spine for added stability. The front of the frame shall be fitted with a positioning pin at both sides, guaranteeing correct positioning of the unit during play. Welded base shall provide a fully enclosed ballast compartment that is properly loaded with steel ballast at the factory. 8' clearance from backboard to impact area.

SIGHT LINES: To maximize sight lines for spectators, the main vertical frame members, both front and rear, including padding, shall be 11" with a gradual slope in the padding to a height of 40". The horizontal frame shall be maximum 39" above floor level.

WHEELS: Entire basketball system shall rest on the floor when in the storage position on ten (10), 8" diameter, 2" wide non-marking urethane casters - two (2) double-swivel front casters, and three (3) double-rear fixed casters. Maximum load for each wheel shall be 2000 lbs.

ANCHORS: Each unit shall come equipped with a floor insert, brass cover plate, and adjustable length turnbuckle to anchor the unit per NCAA specifications. For wood floors, the brass cover plate shall not be connected to the anchor in the concrete, to allow movement of the wood floor.

FOLDING CYCLE: The unit shall operate on a special spring balance system constructed of 7-5/8" diameter steel springs, steel section 5/8". Tension on these springs shall be adjustable. A telescopic rod, 2 1/8" outer rod and 1 3/4" inner rod, shall lock the unit into position with a spring-activated positive locking pin at 10'. A manual pin may be used to lock goal further, and alternate height settings may be added by the customer. A turnbuckle tensioner device shall be implemented to provide added stability between the two vertical yokes.

AUTOMATIC BASE CONTROL SYSTEM: The unit shall be lifted off the floor during the collapsing stage using the motion of the two yokes that support the main beam by means of 2 vertical push rods connected to struts and a sub-frame inside the main frame. These push rods, mounted to the front yoke, shall be connected to struts which thread into a stable sub-frame bar. As the goal is placed in playing position, the push rods shall engage the struts downward which places the stabilizing system bar firmly on the floor surface. The height shall be easily adjustable by means of a floating adjustable nut at the base of the vertical rod. Manual version available in cases of limited space. Screw down mechanisms shall not be considered equal.

PADDING: All front padding shall be a minimum of 4" thick foam covered with reinforced vinyl. Front pads shall be a minimum 6" thick in the area where players may collide with the unit. Side pads shall be a minimum 3" thick. The main beam, directly behind the backboard, shall be fitted with a pad to protect players' heads. Padding shall be available in 16 standard colors. Customer to send sample of desired color for matching, and custom printing options are available for an added fee.

GOAL AND BACKBOARD ATTACHMENT: The goal and backboard shall be attached to the unit via a **true direct mount** system, so as to completely eliminate stress on the glass backboard during play; "True direct mount" means that the rim shall bolt directly to the front metal plate on the backboard, and the rear metal plate of the backboard shall bolt directly to the welded plate on the main backboard support beam of the backstop. There shall be no glass between the front and back steel mounting plates of the backboard; instead, the heat tempered glass plate shall have a cut-out area around the mounting plates of the backboard, which shall be supported by a tubular steel lower frame and polished aluminum frame on its full perimeter. Breakaway rim shall be designed to flex with equal pressure in any direction around the front 180° circumference of the ring and have tubular net attachment system. Rim shall incorporate a détente mechanism to prevent breakaway until approx. 180# of force is applied. Backboards with glass between the metal mounting plates shall not be considered equal.

FINISH: The unit shall be powder-coated in white. (Custom colors available.) All exposed metal surfaces shall be powder coated or zinc-plated.

SPECIFICS: System weight shall be approximately 2,800 pounds. The base shall be approximately 44" wide x 72" long. The total stored dimension shall be approximately 76" wide x 176" long x 83" high. Components shall carry the following minimum warranties: Backboard, limited lifetime; Structure 20-year limited; Unit Padding 1-year, Backboard Padding 10-year; Breakaway Goal, 3-year. Entire system shall meet all rules for high school, collegiate, and FIBA play.

NOTE: Counterbalanced springs may need adjustment/replacement occasionally depending on how units are stored when not in use.

FIBA: T-Rex Americana is approved for FIBA level 2 play. Customer must specify "FIBA approval required" on order.



PRODUCT SPECIFICATION

BA898AG T-Rex™ Americana Portable Basketball System

REVISED 2/21/2022 L.M.